

General information

Make use of the space

The two-tier bicycle racks are our latest design, which has been developed to maximize the use of space in bicycle parking areas. The rack is dedicated to outdoor bicycle shelters and underground bicycle areas. The rack can be operated with one hand without the use of strength. We maximize the use of space.

Two-Tier Bike racks

Two-Tier bike racks offer new possibilities in usability and design. The innovative and user-friendly bike parking system accommodates twice as many bikes as other traditional racks. Made of robust materials - hot-dip galvanized steel. Two-Tier bike racks with gas springs allows smooth and easy parking with minimal effort and noise. Parking a bike on the upper level is very easy and comfortable in use for regular bikes as for heavy e-bikes.

Features:

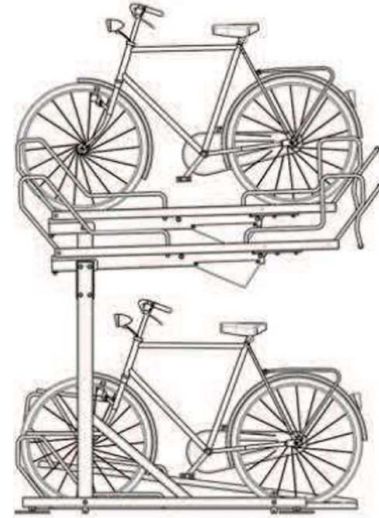
- **World-class design aesthetics and durability of components to meet the needs of demanding customers;**
- **Use of gas springs for easy and force-free parking of bicycles on the upper level of the rack;**
- **The stand has adjustable footplates for mounting on uneven ground;**
- **Non-standard spacing for 375, 400, 450 and 500 mm 500 mm.**

Options:

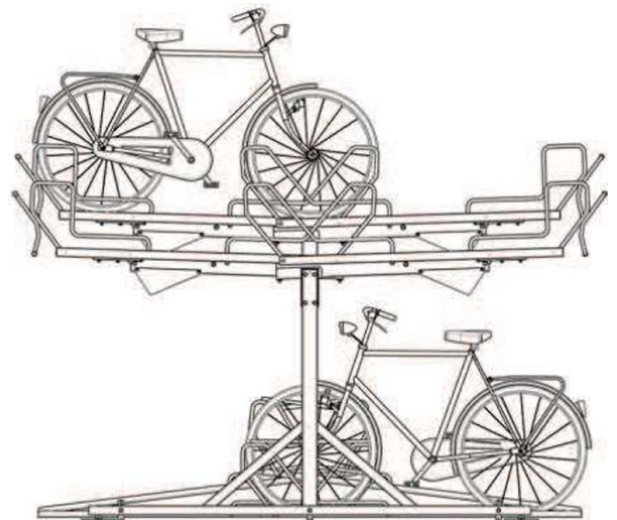
- **Painting the whole Two-Tier bike racks in ONE RAL colour;**
- **Acuator housing and handles powder painted in needed RAL colour;**
- **Wider grips at the bottom compatible with a wide tire for a fat bike;**
- **Electricity socket holder for charging e bike;**
- **A log holder.**

Available models

Single models



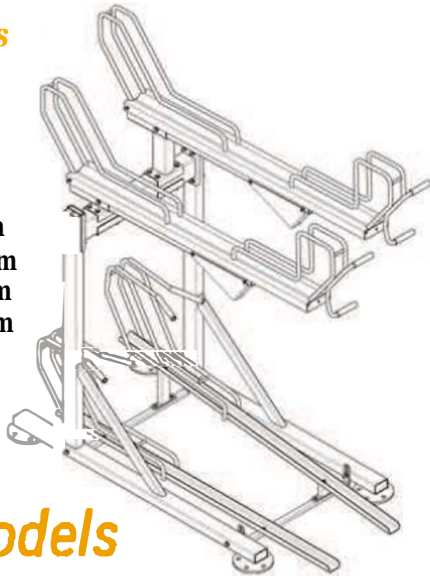
Double models



Available spacing

Two-Tier Bike Racks WL...S:

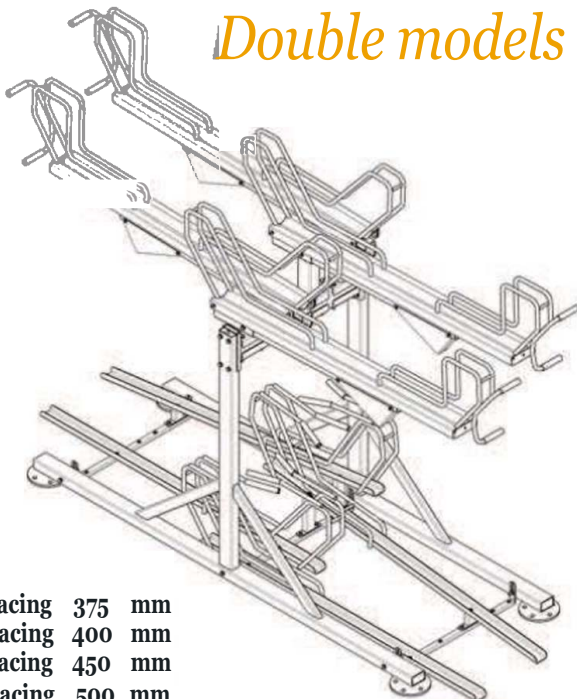
WL.375S: spacing 375 mm
 WL.400S: spacing 400 mm
 WL.450S: spacing 450 mm
 WL.500S: spacing 500 mm



Single models

Two-Tier Bike racks WL...D

Double models



WL375D: spacing 375 mm
 WL400D: spacing 400 mm
 WL450D: spacing 450 mm
 WL500D: spacing 500 mm

General information

Benefits:

- Significant reduction in noise from the upper level through the use of a gas acuator;
- Smooth and force-free lifting and removal of the upper rack;
- Equally easy parking of the bike on the upper level as on the lower level;
- Ideal spacing for any model of bicycle (spacing in different variants);
- Muhiple module extensions can be combined as required;
- Available in single or double-sided versions;
- Ergonomic handle made of thicker, warm-touch material that can be lifted with one hand;
- Comfortable bike park to the stand;
- Integrated footplates for uneven surfaces;
- Stylish appearance, moderm European design;
- Features multiple locking points for different bike designs;
- Robust welded steel construction - hot dip galvanised;
- Racks are certified to EXC3 according to EN1090, ISO 9001; and EN 3834EXC3 according to EN1090, ISO 9001, EN3834
- Powder coated galvanised steel construction in a RAL colour of your choice;
- non-standard spacing 375, 400, 450 and 500 mm.



example: Two-tier Bike Rack WL375S

Some of the available base modules - number of parking spots

single parking spots: 4



single parking spots: 12



single parking spots: 8



single parking spots: 16



Also available 6, 10 or 14 parking spots

double parking spots: 8



double parking spots: 24



Also available 12, 20 or 28 parking spots

double parking spots: 16



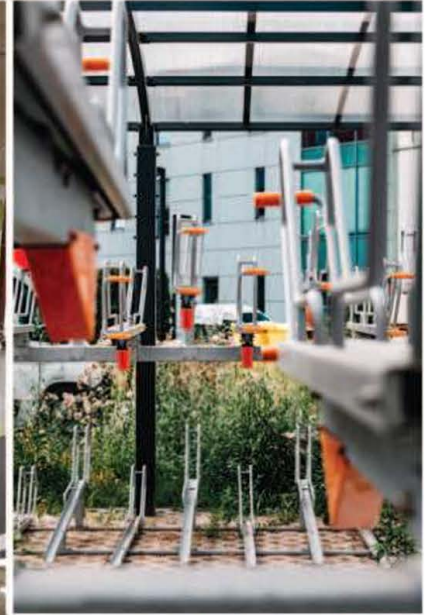
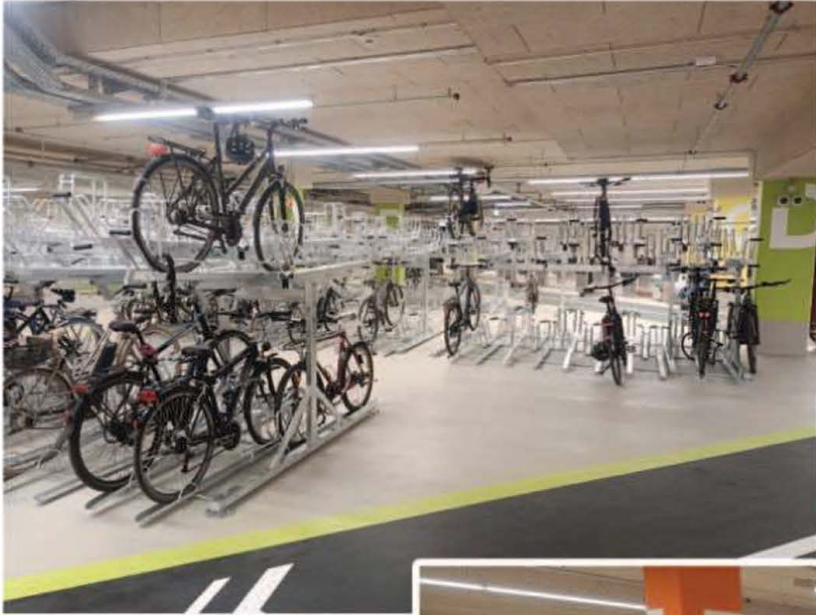
double parking spots: 32



Available various extension modules - example configurations:



Example implementations



*high end
machine tool
stock*



*cooperation
with
designers*

Example implementations



*custom
projects*



*experience in
the industry*